



FLOURTECH GROUP

FLOURTECH ENGINEERS PVT. LTD.

Unit-1: Plot No. 182,
Sector-24, Faridabad-121005
Haryana, INDIA

Unit-2: Plot No. 805,
Sector-58, Faridabad-121005
Haryana, INDIA

Phone/Fax: 0129-4043388
Mobile: +91 98104 62578

E: flourtech@flourtech.com
W: www.flourtech.com

AQC CHEM. LAB PVT LTD

Plot No.16/5, Mathura Road
Street No.4, Faridabad-121002
Haryana, INDIA

Phone/Fax: 0129-4043388
Mobile: +91 98104 62578



CE | ISO 9001-2008



Customized solutions for optimized performance

Optimizing milling technologies across nations

Flourtech's innovative milling technologies have been serving and supporting the grain and food processing industry across the globe, since its inception.

For close to three decades, Flourtech's cutting-edge innovations have aided the production of high-quality foods across nations by providing means for processing top-quality flour. With top-grade processes, carefully tailored to meet customers' specific requirements, Flourtech is your trusted partner for any and every grain and food processing needs.



Unit-2

“**Flourtech leaves no stone unturned to provide customers top-quality solutions they envision**”

Greetings and welcome to the world of Flourtech Engineers Pvt Ltd.



We are an organization engaged in the manufacturing and supplying of grain and food processing technologies since 1988.

At the outset, our operations were largely focused in the consulting arena of flour milling. However, with time, we discovered the need for providing innovative grain processing solutions, which led to our evolution into a grain and food processing technology supplier. Over the years, Flourtech's dedication and diligence to quality and performance has successfully created an admirable standing for the organization in the grain and food processing industry.

We believe in putting our heart in everything we do and this philosophy has helped us spread our wings and explore newer, innovative methods of grain processing, to efficiently serve the grain processing industry. Our forte lies in designing and developing machinery using highly advanced technologies,

without compromising the quality and performance of our products which are at par with global standards. We offer our clients supreme quality solutions at realistic prices and we go the extra mile to make it happen. For us, the satisfaction of our customers is what fuels our success and we leave no stone unturned to ensure our clients get what they desire.

Our teams of industry professionals and experts are committed to delivering inventive solutions that meet the ever growing demand of the nation's long-term needs for milled products and we do so by partnering with clients and assisting them in getting the most out of valued raw materials.

Sanjay Gupta
Chairman of Flourtech Group



FLOURTECH

The desire to serve, coupled with the fire to succeed helped Flourtech carve its own destiny

Since its inception, Flourtech has steadfastly pursued excellence in each of its endeavours, be it as a constant in the field of milling technologies during early stages as an organization or presently as a manufacturer, supplier, exporter and service provider of grain milling solutions.

Flourtech's commitment towards establishing itself as one of the most reputable business entities in its arena has led the organization to become one of the most trusted solutions provider in the grain and food processing industry.

Flourtech engages in providing its customers a holistic experience by supporting them during the entire process, right from manufacturing to installation to commissioning of the plants, in order to ensure smooth and hassle-free operations, making the organization trustworthy and a reliable partner for customers.



With a wide range of products, including Complete Plants for **Flour Mills, Rice Mills, Dal Mills, Maize Plants, Maize Grit Plant & Cornflakes Plants and other Food Processing Machinery**, the Flourtech Group of Companies has been serving the grain and food processing industry and offering a strong base for agricultural progress in the country for close to three decades.



Unit-1

Vision

To be the preferred partner in grain processing

Mission

To diversify and evolve into a global grain processing solutions provider



Innovative thinking. Inventive technology.

One of the features that clearly distinguishes Flourtech products from others is their advanced technology and high-performance that matches global standards.

Flourtech employs state-of-the-art technology to manufacture products that are not just supreme in terms of quality but also deliver optimal results to clients.



Product range

1 Roller Flour Mill Plant

Designed to deliver excellence

Designed for processing wheat into flour, the Flourtech Roller Flour Mill Plant has been developed utilizing state-of-the-art technology to provide excellent results to our customers, right from cleaning, grading and milling the grains into flour, delivering clients with supreme quality product yields that not just meet but exceed their expectations.

Production capacity
60 to 600
tons per day

2 Whole Wheat Chakki/ Multi Grain Atta Plant

*Unsurpassed quality.
Unmatched performance.*

Flourtech's Whole Wheat Chakki Atta Plant has been manufactured through advanced process technologies and comprehensive plant engineering techniques with the objective of ensuring maximum quality and product yields that allow mill owners to maximize their profits.

Production capacity
20 to 300
tons per day

3 Rice Mill & Rice Grit Plant

New generation milling technology

Flourtech's rice milling technologies provide expert engineering services for all kinds of rice milling projects. Flourtech's Rice Mill and Rice Grit Plant machineries and equipment ensure smooth operations for the entire life-cycle of rice processing, right from cleaning to parboiling, drying, milling and grading of the rice grains.

Production capacity

25 to 210
tons per day

4 Pulse Processing Plant

Efficient, effective and economical

Pulses like yellow peas, toor dal, black gram, chickpeas, horse gram etc, occupy an important place in human nutrition owing to its high protein content in comparison to cereal grains, which is why Flourtech's Pulse Mill Plants have been designed to process pulses in a dust-free, pollution-free manner that retains its proteins and natural shine to provide customers with the desired results.

Production capacity

25 to 250
tons per day

5 Soya Bean/Soya Grit and DOC Grinding Plant

Consistent quality, always

Flourtech's innovative technologies and engineering expertise enables the organization to provide clients with solutions that deliver consistent product quality, thereby significantly improving return on investments for them. Flourtech's Soya bean Grit and DOC Grinding Plant is no different from other Flourtech solutions in terms of quality and performance, providing clients with desired results.

Production capacity

20 to 450
tons per day

6 Maize Grit and Corn Flakes Plant

Advanced and ecological solutions

Developed with the objective of providing energy-efficient processes that ensure maximum raw material yield and top product quality, Flourtech's Maize Grit and Corn Flakes Plant employs new generation, ecological and modern processing technologies that ensure supreme quality yield for plant owners.

Production capacity

25 to 200
tons per day

7 Nutritional Food Mix/Energy Food Plant

Diversified solutions for diversified needs

Flourtech's machines and plants have been designed and developed with the objective of enabling processing of a variety of grains. Moreover, the Flourtech's innovative technology and easy-to-use features allow machines to rapidly adjust to suit different applications as well as specific requirements.

Production capacity

25 to 450
tons per day

8 Besan/Gram Flour Plant

Optimal solutions for maximum product yields

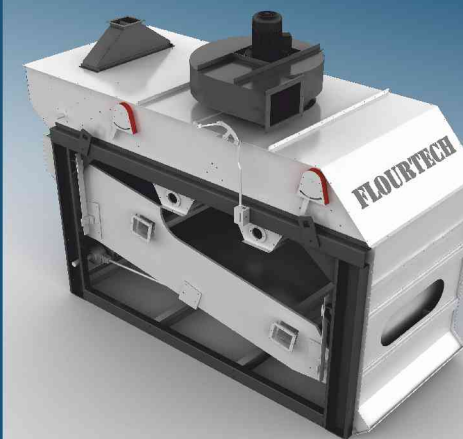
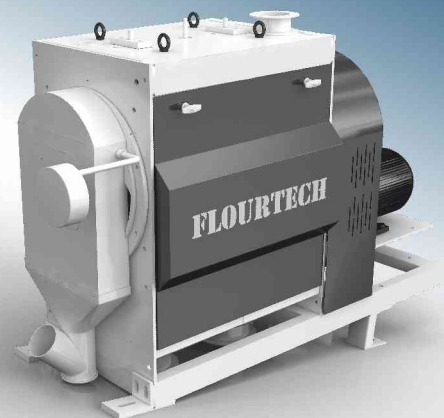
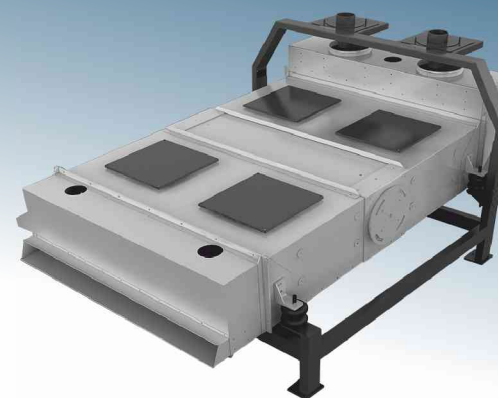
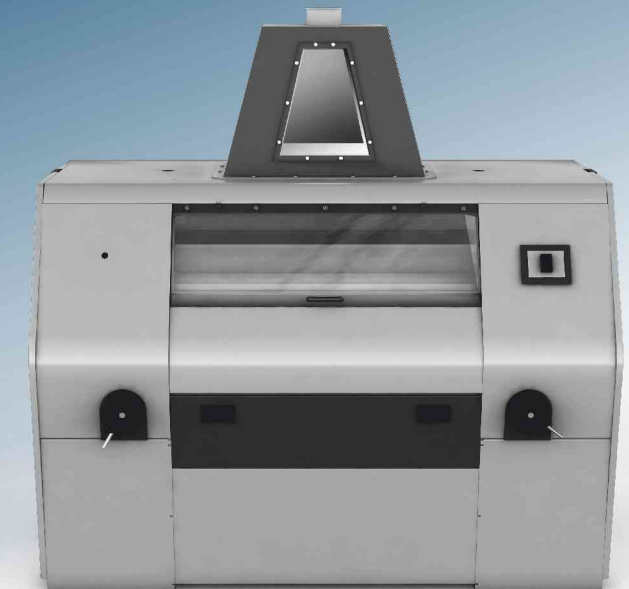
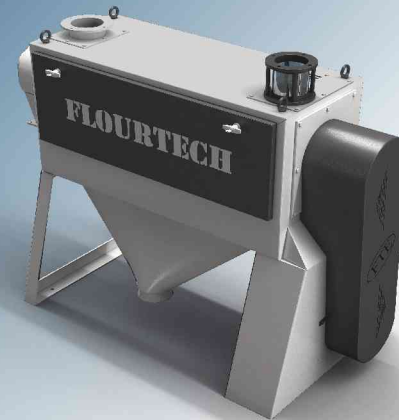
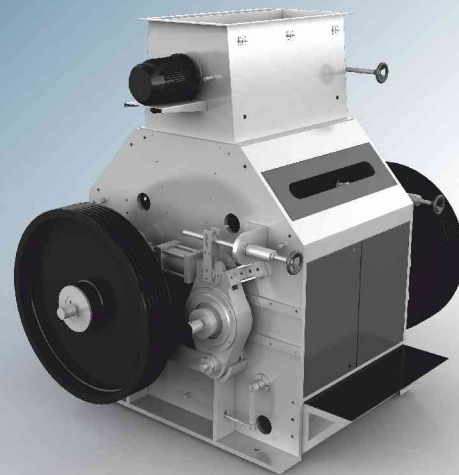
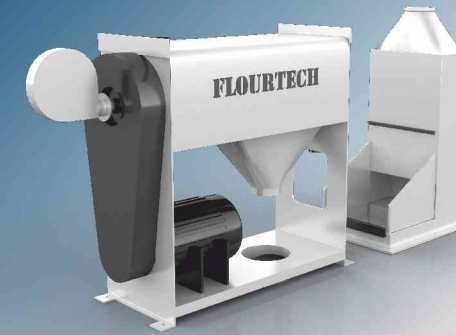
Flourtech offers a wide range of Gram Flour (Besan) Plants that have been developed through technically-advanced machines in accordance with set industrial norms to provide clients with high-quality solutions that are precision engineered and ensure long-lasting service.

Production capacity

22 to 300
tons per day

Comprehensive solutions for consistent performance

- Feed Machinery
- Cleaning
- Milling
- Automation
- Packaging

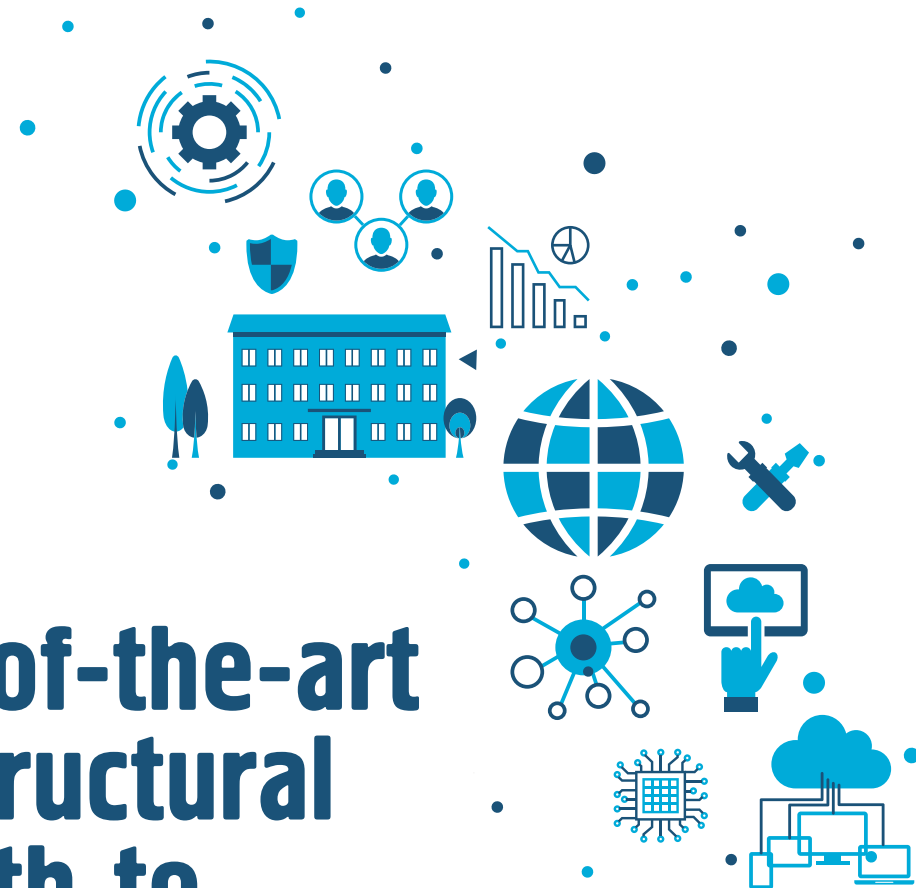


State-of-the-art infrastructural strength to enable innovations

Flourtech's backbone is undoubtedly its robust infrastructural strength which has enabled the organization to consistently deliver innovative solutions that meet international standards in terms of quality, technology and performance.

Flourtech's state-of-the-art infrastructural facilities employ cutting-edge technologies for manufacturing milling solutions that are technically advanced and inventive in comparison to other products in the market. The Flourtech manufacturing unit is equipped with the following facilities:

- CAD/Computer Department
- Machinery Division
- Fabrication Division
- Assembly Division
- Quality Control & Purchase



A team of highly-qualified managers and engineers with more than 20 years of expertise in milling solutions, ensure smooth operations at the Flourtech manufacturing facilities. The manufacturing process is supported by a team of shop technical supervisors, purchase assistants, shop workmen and technicians who ensure the production processes run efficiently.





Advanced quality lab equipment

Flourtech also engages in providing state-of-the-art equipment through another division named AQC Chem. Lab (P) Ltd.

AQC offers quality flour processing to their clientele. AQC is amongst the most prolific brands in the country widely recognized for its quality of products in flour processing. It manufactures a wide range of products including Lab Equipment, Microfeeder and Flour Improvers.



The company includes a panel of qualified and innovative personnel who ensure clients receive the best in Flour Technology. Certified ISO 22000:2005, AQC, in the span of two decades has delivered quality equipment to a diverse range of customers and has clearly earned a valuable reputation in the market for its innovative solutions.

The products in which the company deals are as follows:

- Micro Nutrients
- Improvers & Whiteners
- Lab Equipment
- Micro - Feeders

AQC aspires to exceed client expectations by offering a combination of finest products, excellent customer service, increased flexibility and great value, thereby optimizing functionality and improving efficiency.

What clients across the world are saying about Flourtech...

Flourtech takes full responsibility of every turnkey solution engagement, right from manufacturing to installation to commissioning of the plant. Once we installed the Flourtech milling solutions at our plants, we did not have to undergo any of the usual hassles of maintaining, after installation service support etc. All responsibilities relating to the turnkey process were handled seamlessly by Flourtech Engineers Pvt Ltd, which made our job much easier.

Idris Malwasi
CMD, Mishkat Agro Industries,
Dahod, Gujarat

Flourtech's dedication and commitment towards quality solutions is what drew us to seek their service and needless to say we were not at all disappointed. Flourtech turnkey solutions deliver effective resources during the entire lifecycle of a plant and their pre and after-sales technical support and services are extremely efficient making it the best solutions provider for turnkey requirements.

Adani Wilmar Group
West Bengal

Following the placement of an order, Flourtech undertakes full responsibility of the installation and commissioning of the plant, helping us clients at each and every stage of the process. We were mighty impressed by the organizations commitment towards after sales service and we are extremely happy and satisfied with their product management services.

Jaynendra Akbari
Sunrise Hygiene House, Rajkot

We have enjoyed a great partnership with Flourtech. Each of our plants have been manufactured and commissioned by Flourtech and we have never recorded any incident of technical malfunctions at the plants. Each of our plants are recording quality throughput and we are enjoying maximum returns on our investments.

Sallalah Milling Co.
Oman

Flourtech has been our support system right from the beginning. We have enjoyed a fabulous run with the company. We are quite satisfied with the kind of service we received from Flourtech and we value their commitment towards providing quality solutions at reasonable costs.

Mohd. Abubakar Maifata
Umza International Farms,
Nigeria

With Flourtech Engineers, you can relax knowing that your project/plant will enjoy guaranteed cycle times, production rates and throughput. Flourtech solutions keep their promise when it comes to delivering quality solutions at realistic prices. Our plant is now operating at an optimum operation cost thanks to Flourtech turnkey solutions.

Duggar Group
Nepal

Flourtech is an excellent partner to work with. Their technical knowledge with respect to turnkey solutions is unparalleled. We have benefitted greatly due to their impeccable services and we look forward to continue our partnership with them in the coming future.

Shri Lalitha Enterprises
Andhra Pradesh

Complete ownership driven approach, excellent solution architecture, and flawless execution is what has made Flourtech the number one choice for us. The Flourtech technical team's expertise and responsiveness has impressed us immensely and we are extremely grateful for their constant support for the seamless commissioning of our project.

Pallickal Food Products
Cochin, Kerala

Some of our prestigious clients are

Oversease Clients

Name Of Company	Country	Name of Plant
Dofar Cattle Feed, Salalah	Oman	Cattel Feed Plant
Duggar Apiers & Food Products, Biratnagar	Nepal	Flour Mill Plant, Chakki Plant
Pashupati Flour Mill, Biratnagar	Nepal	Flour Mill Plant
Hitesh Khadya Udyog, Nepalganj	Nepal	Chakki Plant
Jai Balaji Foods, Sunsari	Nepal	Chakki, Maize Flour, Besan, Rice Rawa Plant
Om Flour Mill, Birgani	Nepal	Flour Mill Plant
Shiv Shakti Khadya Udhog, Birganj	Nepal	Flour Mill Plant
Narayani Maida Mills Pvt. Ltd., Kathmandu	Nepal	Flour Mill Plant
Bhudeo Khadya Udyog Pvt. Ltd., Biratnagar	Nepal	Chakki Plant
Shree Ram Khadya Udhog, Birganj	Nepal	Flour Mill Plant
Sagarmatha Flour Mills Pvt. Ltd.	Nepal	Chakki Plant
Salalah Mills Co., Al Awqadain	Oman	Flour Mill Plant
Muhulabn Roller Flour Mills	Russia	Flour Mill Plant
Saudi Master Bakers, Dammam	Saudi Arabia	Flour Mill Plant
USA Canada Inc., Abbotsford	Canada	Corn Flakes Plant
Baba Flour Mills Pvt. Ltd., Biratnagar	Nepal	Flour Mill Plant, Chakki Plant
Grand Cereals Ltd., Bukuru-jos	Nigeria	Soya Flour Plant
Umza Farm International, Kano	Nigeria	Parboiled Rice Plant
Angelique International Ltd. Mozambique	Africa	Raw Rice Plant
Sherab Enterprises	Bhutan	Corn Flakes Plant
Labana Global Inv Ltd, Abuja	Nigeria	Parboiled Rice Plant
Pulses & Splitting, Colombo	Srilanka	Pulses Clening Plant
A. A. Ibrahim & Co. Ltd, Kano	Nigeria	Parboiled Rice Plant
Infinity Sbacks & Beverages Ltd., Ljebu Ode	Nigeria	Corn Flakes Plant
Sarfaraaj Food Industries, Saidpur	Bangladesh	Flour Mill Plant
Kabansora Millers Ltd.	Nairobi-Kenya	Roller Flour Mill
Salalah Mills Co.	Salalah - Oman	Roller Flour Mill
Federal Republic of Nigeria	Nigeria - Various Locations	Rice Mills (10 units)
Vikas Flour Mill (Duggae Group)	Nepal Gunj - Nepal	Roller Flour Mill

Domestic Clients

Name Of Company	Location	Name of Plant
Adani Wilmar	Haldia - West Bengal	Pulse Processing Plant
Mishkat Agro Industries	Dahod - Gujrat	Flour Mill
Sunrise Hygine Flour P. Ltd.	Rajkot - Gujrat	Flour Mill
Adani Wilmar	Vidisha - Madhyapradesh	Soya Processing Plant
Pallickal Foods Pvt. Ltd.	Cochin - Kerala	Roller Flour Mill
Nithin Grain & Mills Pvt. Ltd.	Tirupati - Andhra Pradesh	Flour Mill & Chakki Atta Plant
Future Group (big Bazaar)	Indore - Madhyapradesh	Chakki Atta Plant
Future Group (big Bazaar)	Tumkur - Karnatka	Multigrain Processing
Aglow Foods Pvt. Ltd.	Bhiwadi - Rajasthan	Maize Grit/flour Plant
Rms Agro Food Products	Madurai - Tamilnadu	Corn Flakes Plant
Seema Agro Food Pvt. Ltd.	Kharagpur - West Bengal	Chakki Atta Plant
Arwal Food Products Pvt. Ltd	Patna - Bihar	Rice Mill
Shri Laitha Enterprises Ind. P,ltd.	Rajamundry - Andhra Pradesh	Rice Grit Plant
Nithin Grain & Mills Pvt. Ltd.	Tirupati - Andhra Pradesh	Spice Plant
Diya Hygine P.ltd	Nadiyad - Gujrat	Flour Mill
Ajay Agrotech Pvt. Ltd.	Rajasthan	Flour Mill
Shiv Mahima Milk Products P. Ltd.	Bharatpur - Rajasthan	Flour Mill



The promise to deliver only the best



Flourtech is a quality-driven company and focuses on achieving total customer satisfaction through quality products and services and therefore adheres to strict quality control procedures that are followed in all stages of production.

Our in-house Quality Control Unit diligently ensures all quality control requirements are met with during the entire production process right from procuring materials, to assembling, packaging, labelling and shipment of the products.

